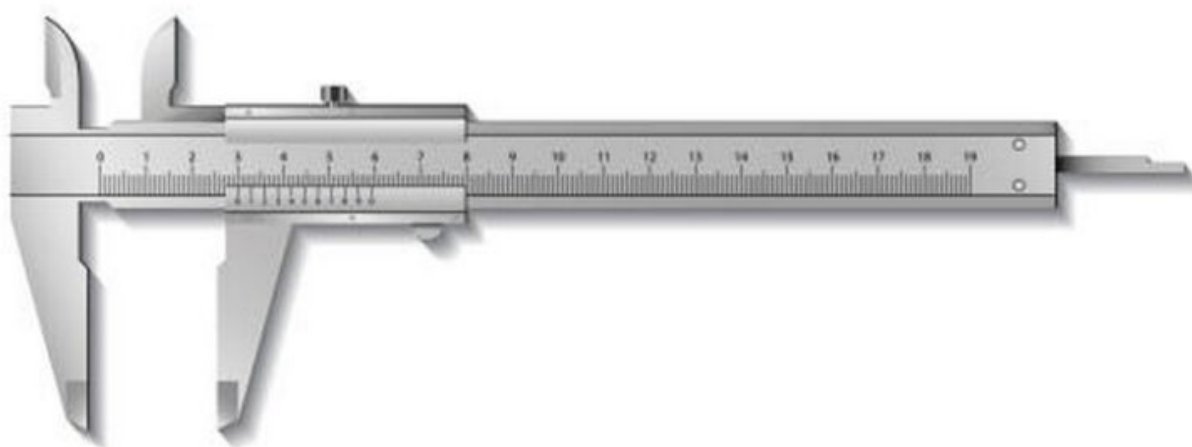


VERNIER CALIPER (G709)

Category: Lab Tools



Product Code: G709

Category: LAB TOOLS

Sub-Category: GENERAL PURPOSE

-
- Used to measure the dimensions of an object, generally by placing two movable points of the instrument across the object or span to be measured.

- Many types of calipers permit reading out a measurement on a ruled scale, a dial, or an electronic digital display. A common association is to calipers using a sliding vernier scale.
-

ORDERING INFORMATION

Item	Code
DIGITAL CALIPER - 150 mm	G709X001B
DIGITAL CALIPER - 200 mm	G709X002B
DIGITAL CALIPER - 300 mm	G709X003B
DIGITAL CALIPER - 500 mm	G709X004B
VERNIER CALIPER - 150 mm	G709X005H
VERNIER CALIPER - 300 mm	G709X006H
VERNIER CALIPER - 500 mm	G709X007H
DIGITAL MICROMETER - 25 mm	G709X101B

Keywords: vernier caliper, G709 caliper, ALFA Testing Equipment, precision measuring tool, internal measurement caliper, external measurement caliper, depth gauge caliper, 150mm vernier caliper, 300mm vernier caliper, 500mm vernier caliper, laboratory caliper, mechanical caliper, sliding scale caliper, lab measurement tool, general-purpose caliper